

8800 SGD (XXO, OXX)  
 Maximum Size: 144" x 96"  
 Design Pressure: +50/-50 psf  
 Impact Rating: Missile Level D - Wind Zone 3

△ ANCHOR - SEE SHEET 2 TO SHEET 5

FOR 144" X 96" DOORS  
 PANEL SIZE: 48-1/2" X 91-1/4"  
 DLO: 42-1/4" X 85"  
 GLAZING: INSULATING GLASS; 3/16" TEMPERED EXTERIOR,  
 TWO (2) 1/8" ANNEALED GLASS WITH 0.090" PVB INTERIOR

**NOTES:**

1. Installations depicted satisfy the requirements of the Florida Building Code, Building 6th Edition (2017) for design wind pressures and overall sizes noted.
2. Wood bucks, wood framing, steel stud framing, concrete and concrete masonry are by others and shall be designed by the architect or engineer of record to resist the loads imparted to them.
3. Wood buck strips and wood frames are assumed S-P-F (G=0.42) or denser. Buck width shall be greater than the frame width. Tapered or partial width buck strips are not allowed.
4. Concrete masonry installations are assumed at least ASTM C90 normal weight hollow masonry units with a 1-1/4" wall thickness or normal weight concrete with a minimum compressive strength of  $f'c = 3,000$  psi.
5. Metal stud frames are assumed to be a minimum 18 gauge 33 KSI steel.
6. Wood screws shall be corrosion resistant and meet the requirements of ANSI/ASME B18.6.1
7. Tapcon masonry anchors shall have a minimum embedment of 1-1/2" or full penetration of concrete masonry unit shell. They shall also have a minimum of 2" edge distance. Install concrete masonry anchors per manufacturer's installation instructions.
8. TEKS screws shall be corrosion resistant and shall be ASTM A510 Grade 1018 or equivalent.
9. Maximum permitted shim thickness is 1/4". Shims shall be non-compressible and load bearing type. Every through-frame fastener shall have a shim.
10. Products are impact resistant and do not require approved protection devices if used in wind-borne debris regions.
11. Not for use in High Velocity Hurricane Zone (HVHZ).

**CONTENTS:**

Sheet 1	Elevations and Notes
Sheet 2	Frame Install to Wood
Sheet 3	Frame Install to Steel Stud
Sheets 4-5	Frame Install to Concrete or CMU
Sheet 6	Glazing Detail
Sheet 7	Sections and BOM
Sheet 8	Components

This item has been digitally signed and sealed by Michael D. Stremmel, PE on the date adjacent to the seal. Printed copies of this document are not considered signed and sealed and the signature must be verified on any electronic copies.

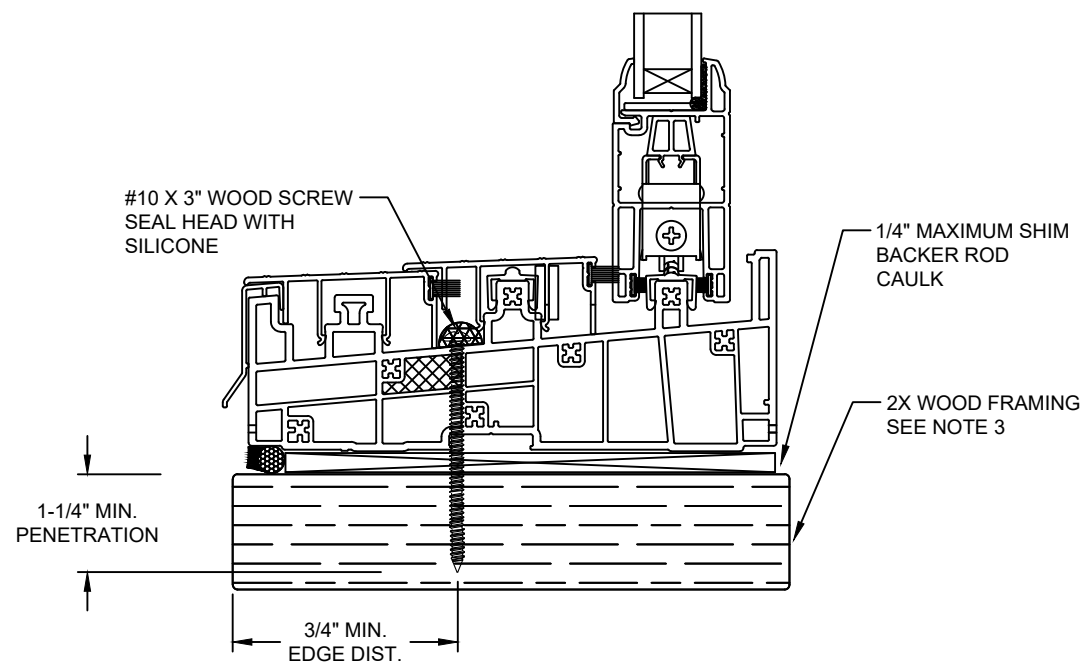
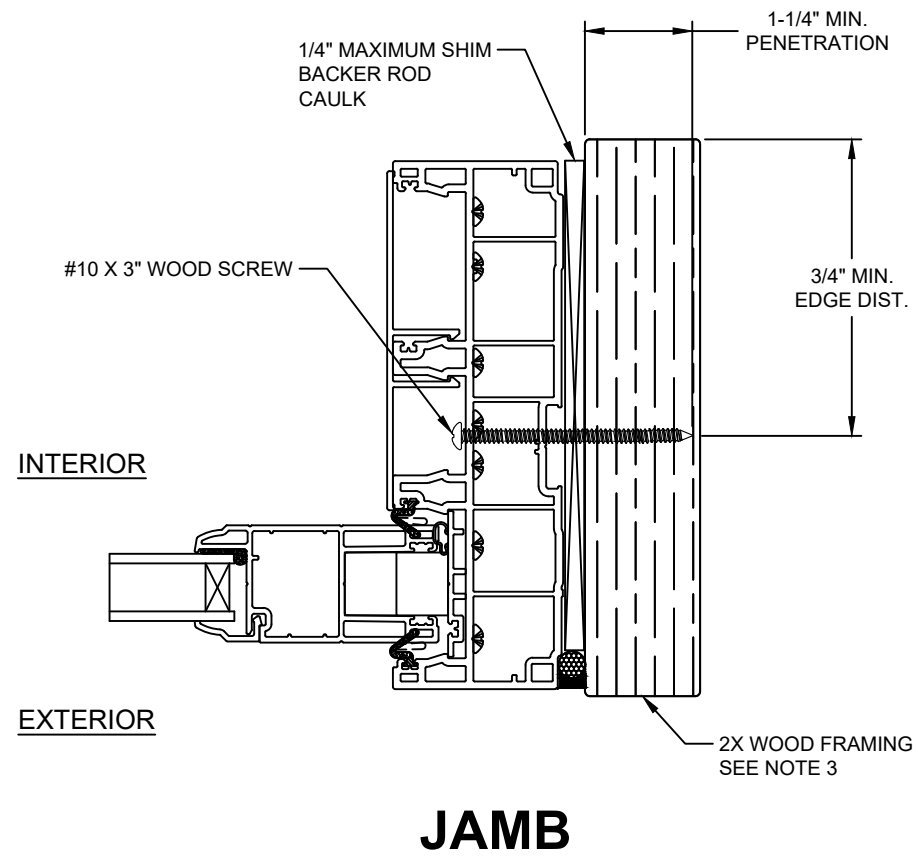
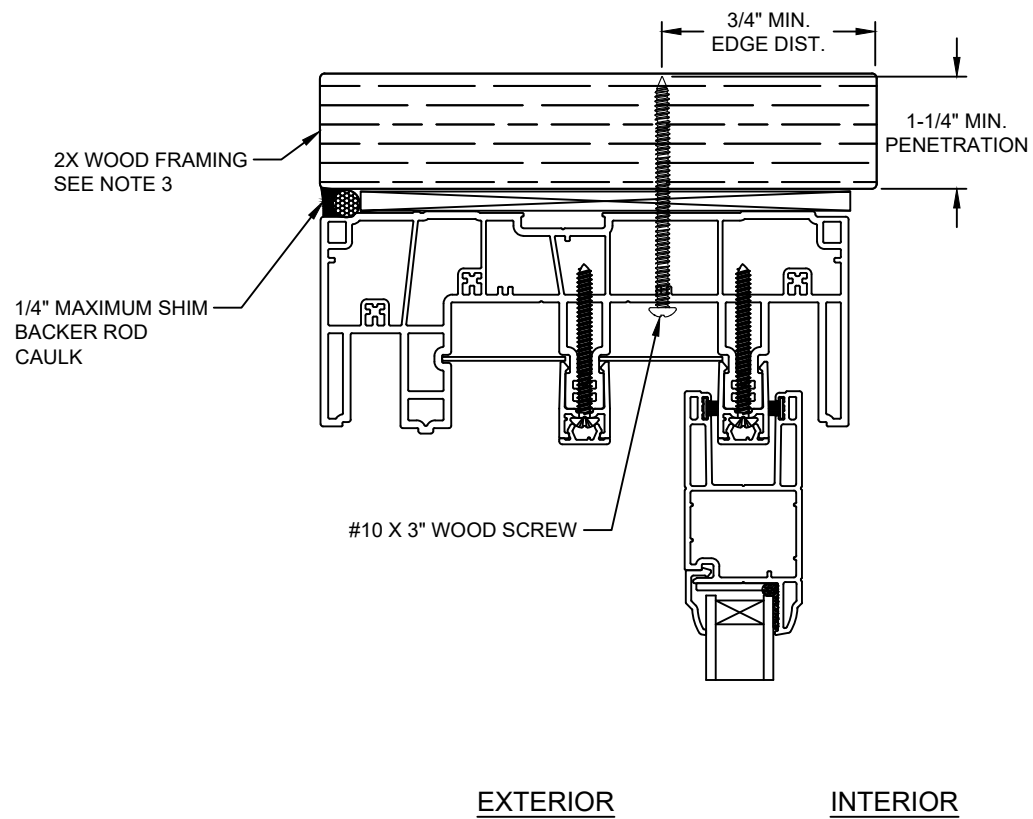
Michael D. Stremmel, PE  
 FL PE 65868  
 FL REG 37122  
 1410 Eden Road  
 York, PA 17402  
 717-916-6300



2023.12.13 07:00:08 -05'00'

<b>8800 SGD - Impact Elevations and Notes</b>	
<b>Wincore Windows &amp; Doors</b> 250 Staunton Turnpike Parkersburg, WV 26104	
Drawing No.: 27675.05-1002 Project No.: 27675.05-107-16 Drawn By: MDS    Rev: -    Date: 12/13/23	
Scale: NTS	Sheet 1 of 8

# HEAD



# SILL

NOTE:  
 IF SILL INSTALLED TO STEEL STUD, SEE SHEET 3  
 IF SILL INSTALLED TO CONCRETE, SEE SHEETS 4 AND 5

Note:  
 Waterproofing and interior finishes by others. Not shown for clarity.

This item has been digitally signed and sealed by Michael D. Stremmel, PE on the date adjacent to the seal. Printed copies of this document are not considered signed and sealed and the signature must be verified on any electronic copies.



Michael D. Stremmel, PE  
 FL PE 65868  
 FL REG 37122  
 1410 Eden Road  
 York, PA 17402  
 717-916-6300

2023.12.13 07:00:08 -05'00'

**8800 SGD - Impact**  
 Frame Install to Wood

**Wincore Windows & Doors**

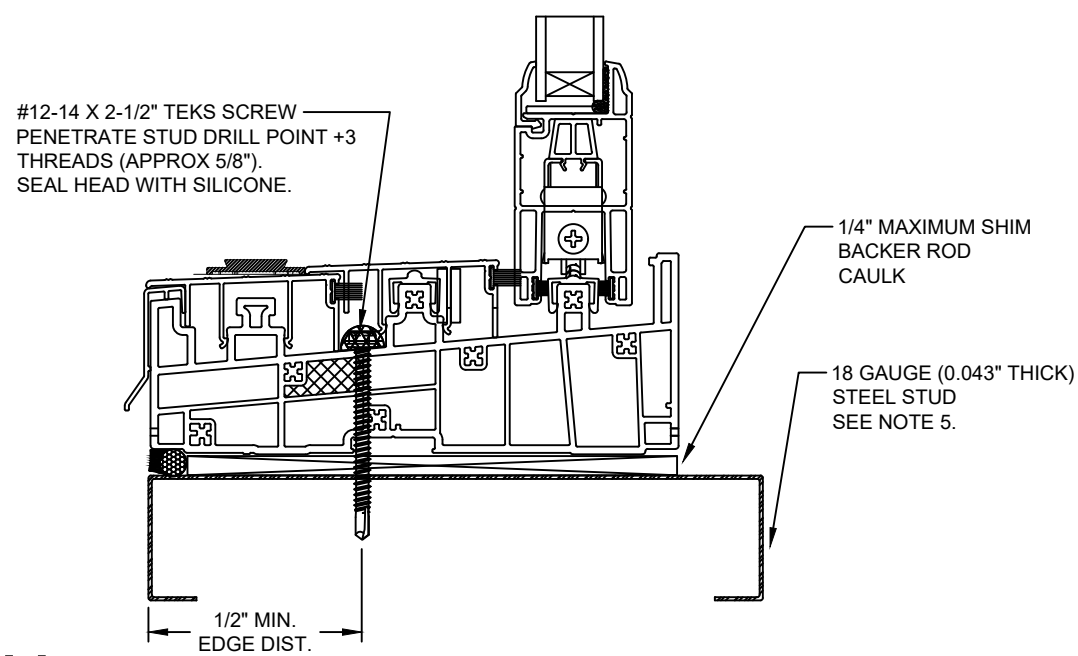
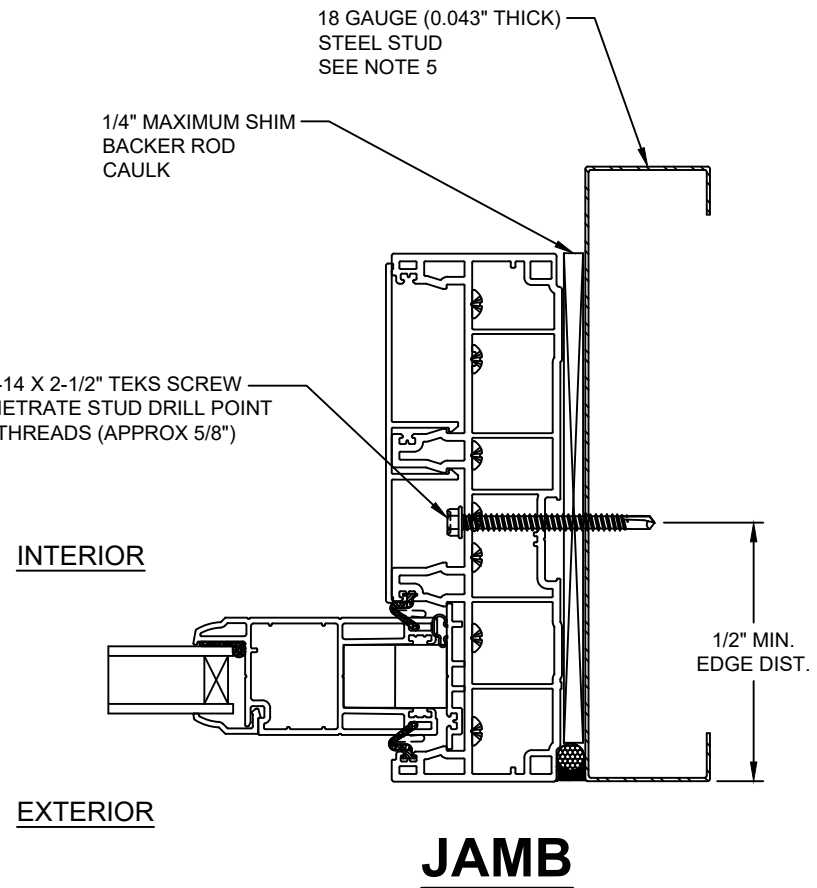
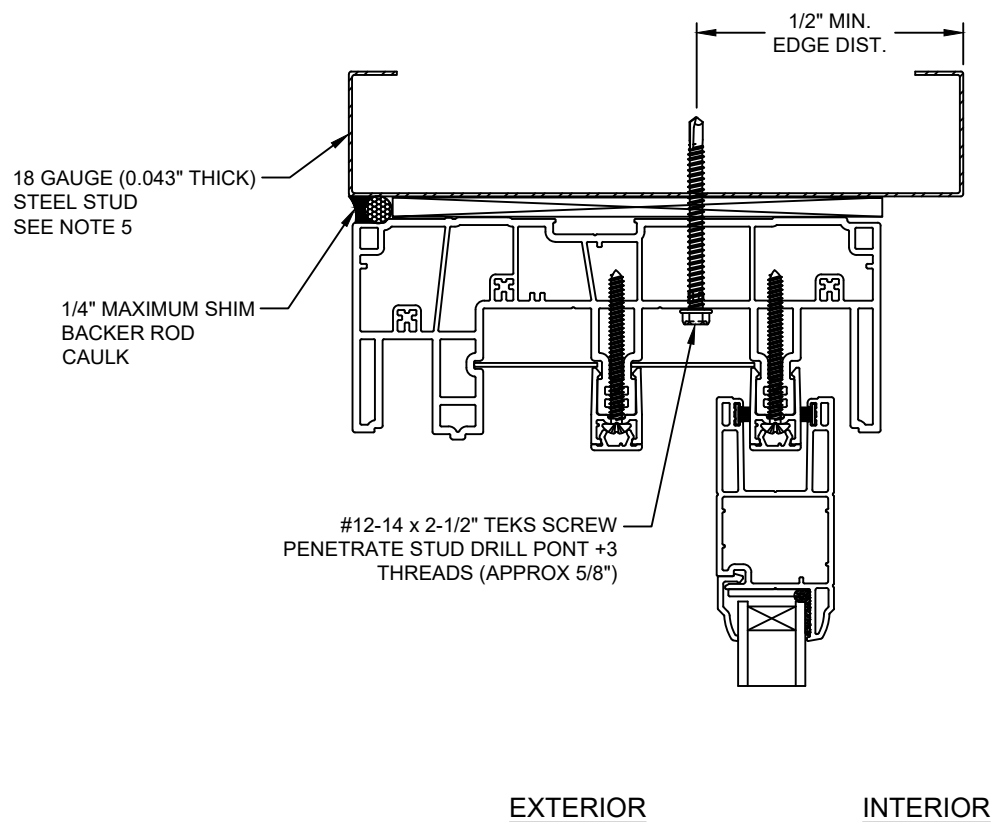
250 Staunton Turnpike  
 Parkersburg, WV 26104

Drawing No.: 27675.05-1002  
 Project No.: 27675.05-107-16  
 Drawn By: MDS Rev: - Date: 12/13/23

Scale: NTS

Sheet 2 of 8

# HEAD



# SILL

NOTE:  
 IF SILL INSTALLED TO WOOD, SEE SHEET 2  
 IF SILL INSTALLED TO CONCRETE, SEE SHEETS 4 AND 5

Note:  
 Waterproofing and interior finishes by others. Not shown for clarity.

This item has been digitally signed and sealed by Michael D. Stremmel, PE on the date adjacent to the seal. Printed copies of this document are not considered signed and sealed and the signature must be verified on any electronic copies.

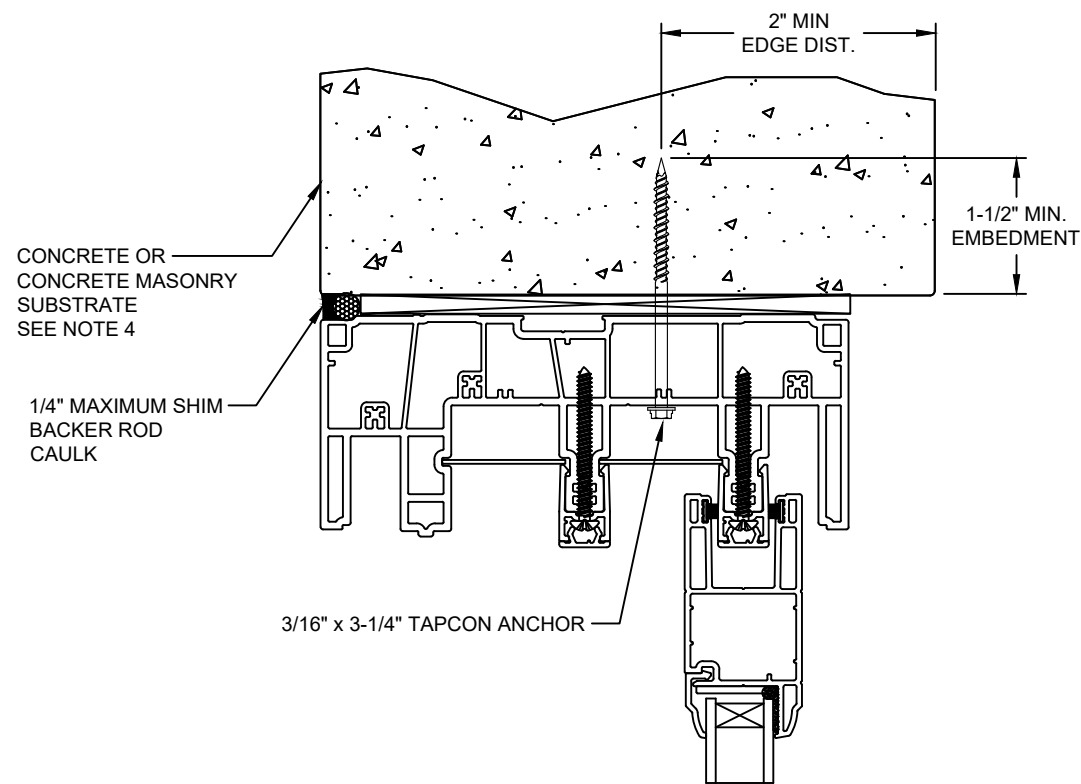


Michael D. Stremmel, PE  
 FL PE 65868  
 FL REG 37122  
 1410 Eden Road  
 York, PA 17402  
 717-916-6300

2023.12.13 07:00:08 -05'00'

<b>8800 SGD - Impact</b> Frame Install to Steel Stud	
<b>Wincore Windows &amp; Doors</b> 250 Staunton Turnpike Parkersburg, WV 26104	
Drawing No.: 27675.05-1002 Project No.: 27675.05-107-16 Drawn By: MDS Rev: - Date: 12/13/23	
Scale: NTS	Sheet 3 of 8

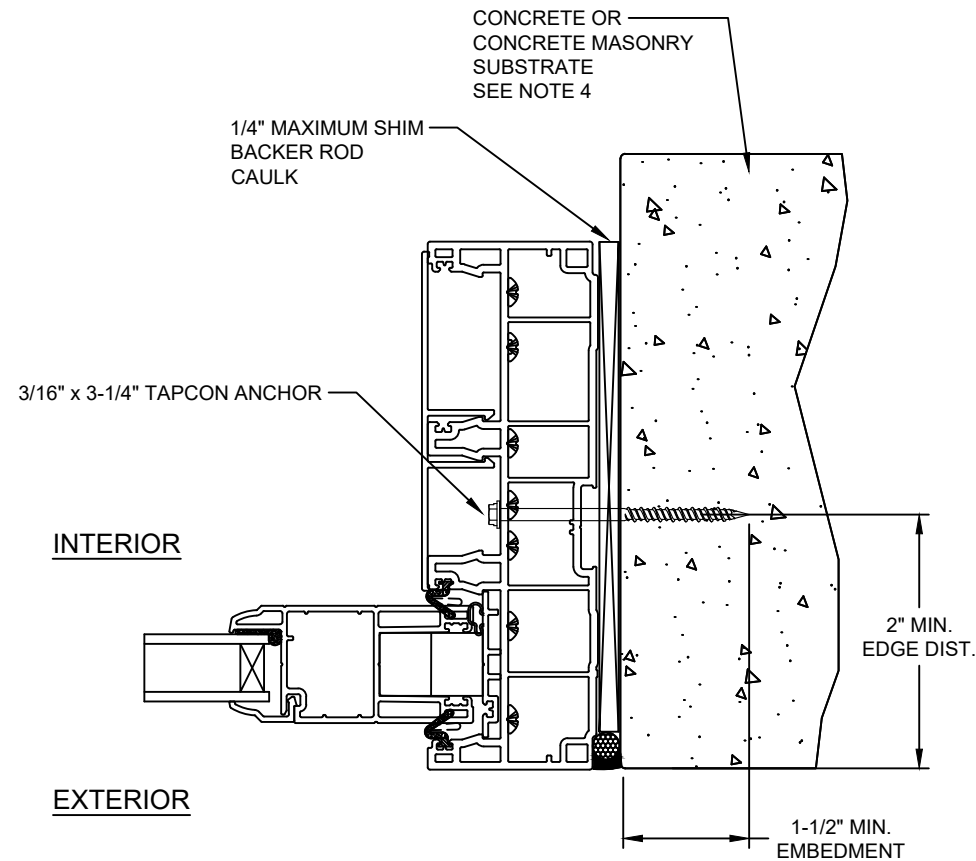
# HEAD



EXTERIOR

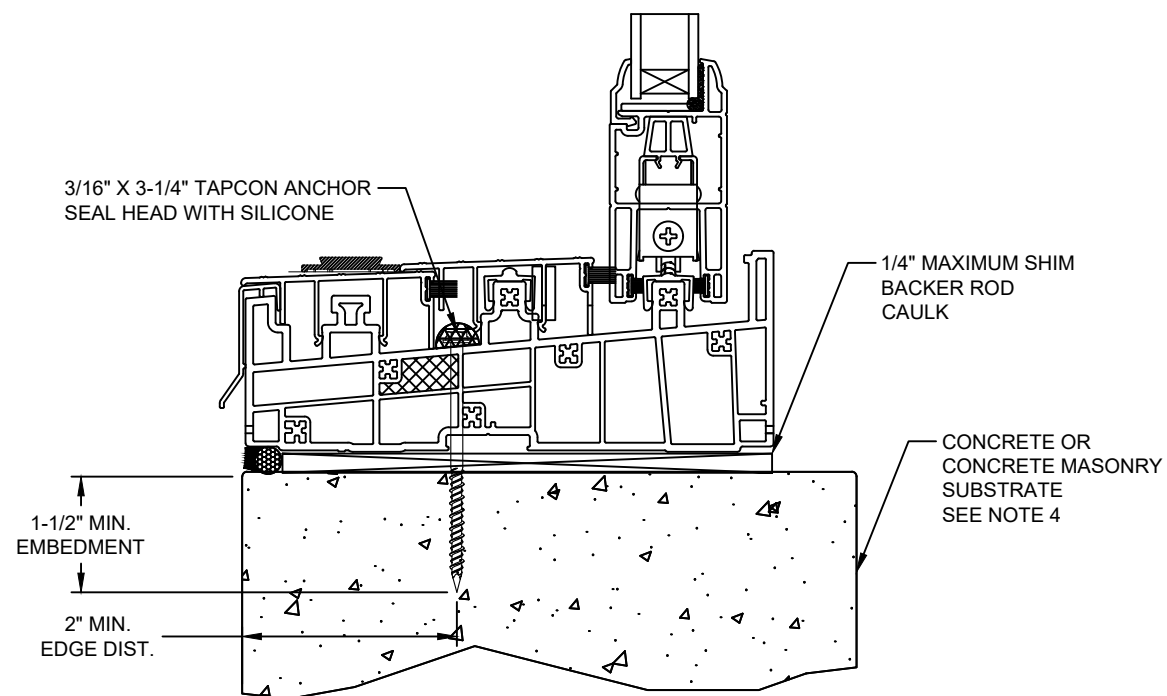
INTERIOR

# JAMB



INTERIOR

EXTERIOR



# SILL

NOTE:  
IF SILL INSTALLED TO WOOD, SEE SHEET 2  
IF SILL INSTALLED TO STEEL STUD, SEE SHEET 3

Note:  
Waterproofing and interior finishes by others. Not shown for clarity.

This item has been digitally signed and sealed by Michael D. Stremmel, PE on the date adjacent to the seal. Printed copies of this document are not considered signed and sealed and the signature must be verified on any electronic copies.



Michael D. Stremmel, PE  
FL PE 65868  
FL REG 37122  
1410 Eden Road  
York, PA 17402  
717-916-6300

2023.12.13 07:00:08 -05'00'

**8800 SGD - Impact**  
Frame Install to Concrete or CMU

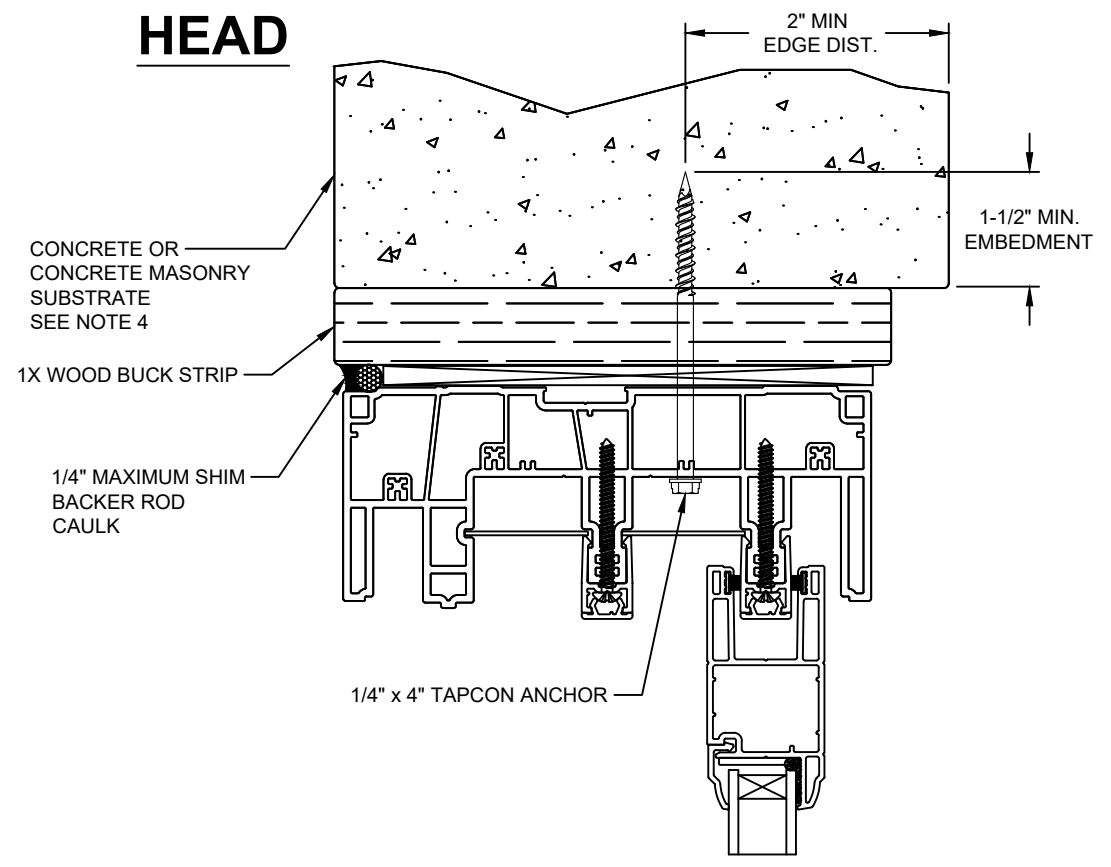
**Wincore Windows & Doors**  
250 Staunton Turnpike  
Parkersburg, WV 26104

Drawing No.: 27675.05-1002  
Project No.: 27675.05-107-16  
Drawn By: MDS Rev: - Date: 12/13/23

Scale: NTS

Sheet 4 of 8

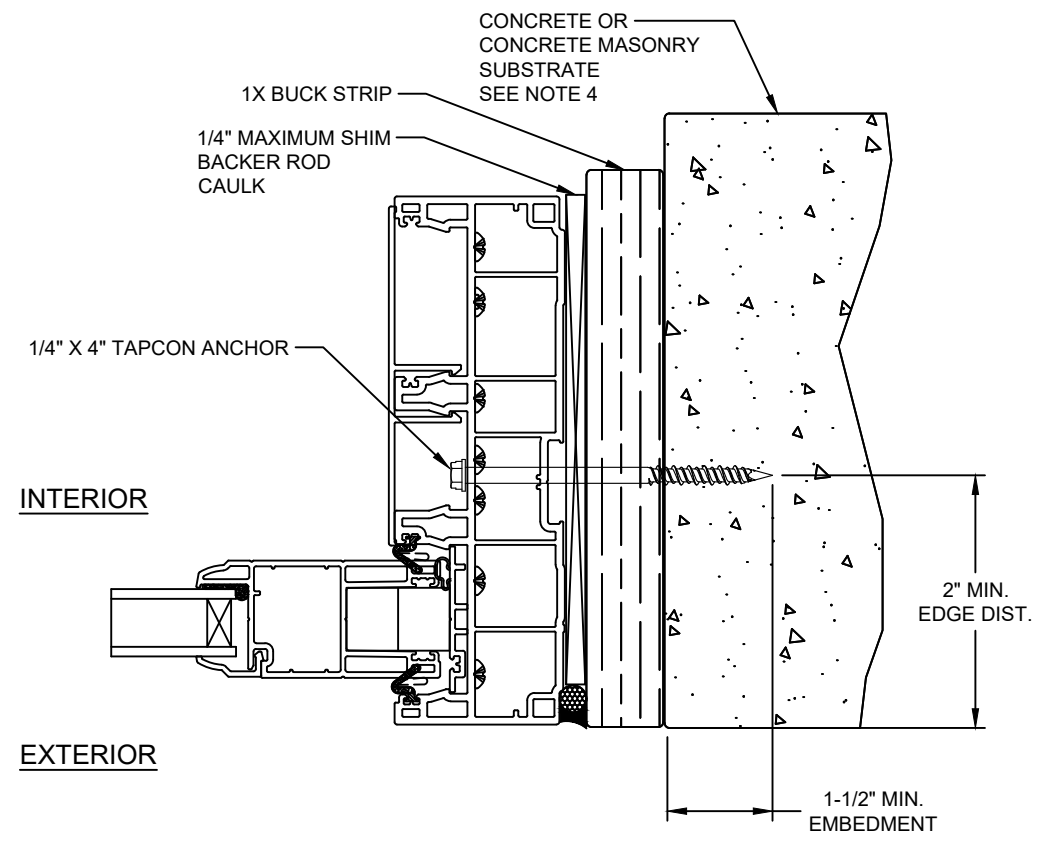
# HEAD



EXTERIOR

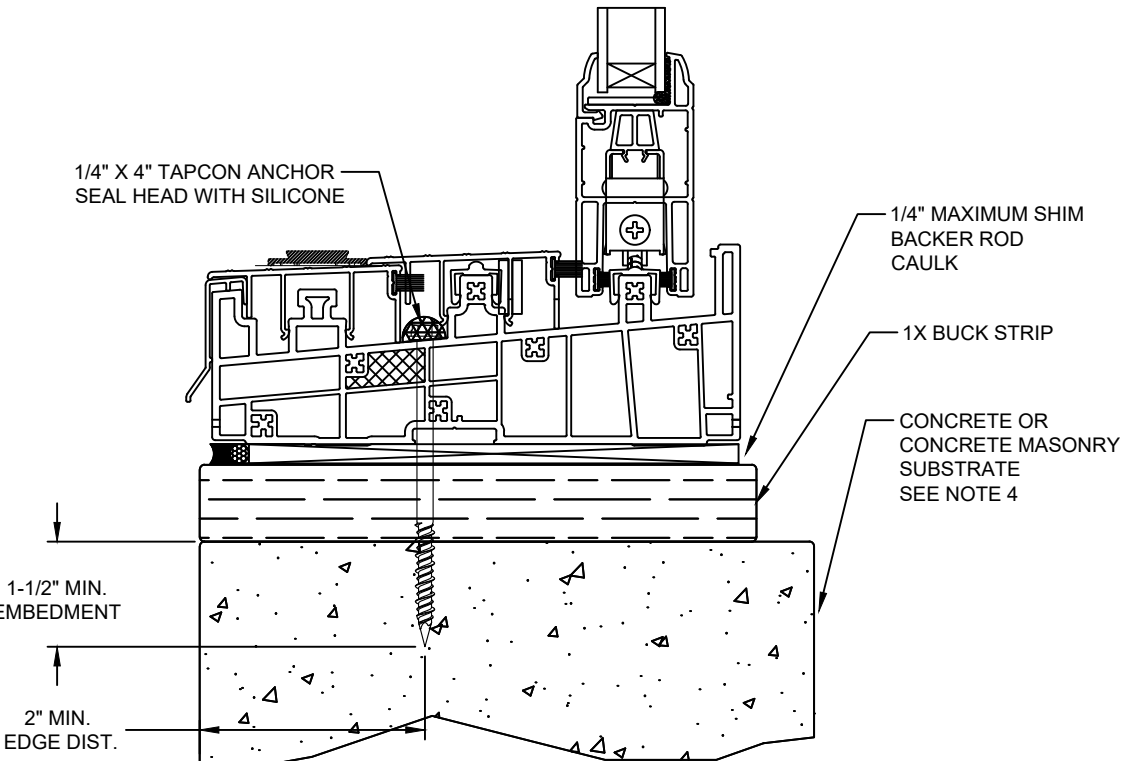
INTERIOR

# JAMB



INTERIOR

EXTERIOR



# SILL

NOTE:  
IF SILL INSTALLED TO WOOD, SEE SHEET 2  
IF SILL INSTALLED TO STEEL STUD, SEE SHEET 3

Note:  
Waterproofing and interior finishes by others. Not shown for clarity.

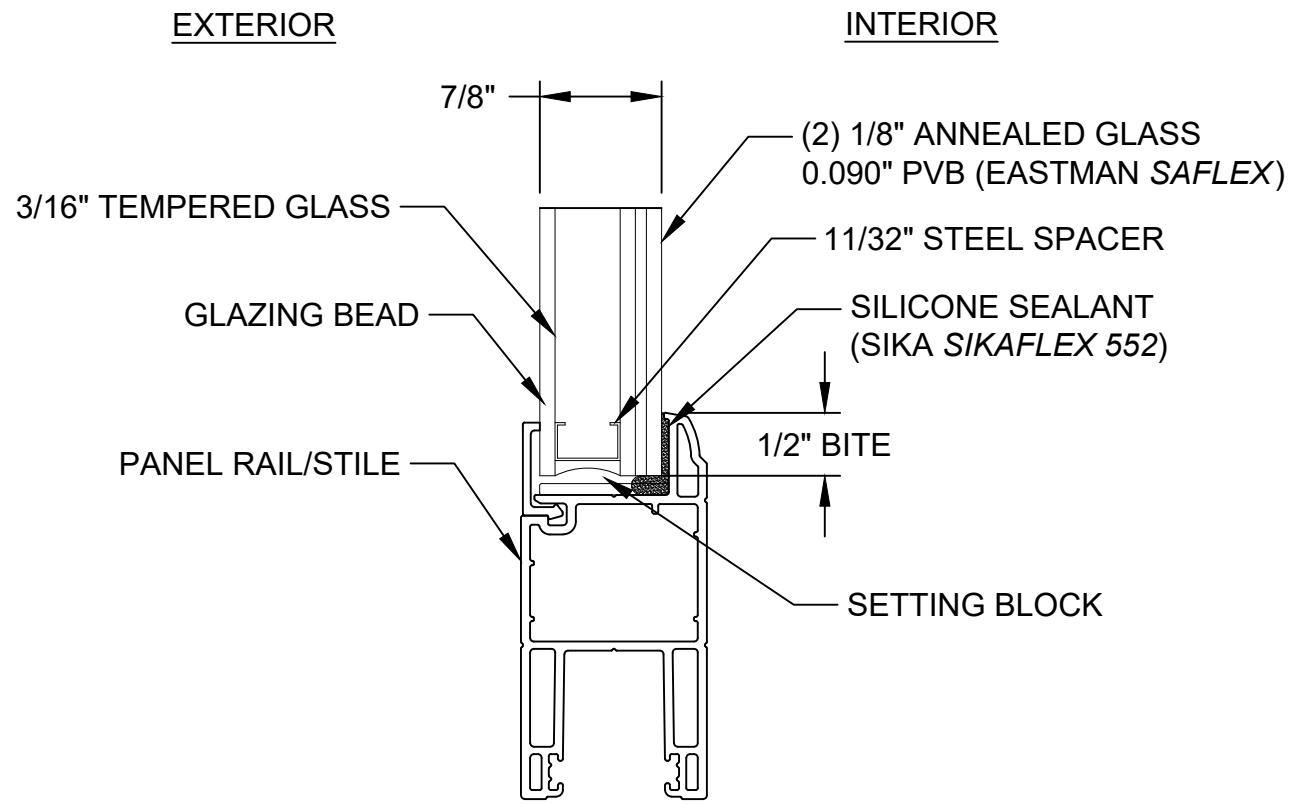
This item has been digitally signed and sealed by Michael D. Stremmel, PE on the date adjacent to the seal. Printed copies of this document are not considered signed and sealed and the signature must be verified on any electronic copies.



Michael D. Stremmel, PE  
FL PE 65868  
FL REG 37122  
1410 Eden Road  
York, PA 17402  
717-916-6300

2023.12.13 07:00:08 -05'00'

<b>8800 SGD - Impact</b> Frame Install to Concrete or CMU	
<b>Wincore Windows &amp; Doors</b> 250 Staunton Turnpike Parkersburg, WV 26104	
Drawing No.: 27675.05-1002 Project No.: 27675.05-107-16 Drawn By: MDS Rev: - Date: 12/13/23	
Scale: NTS	Sheet 5 of 8



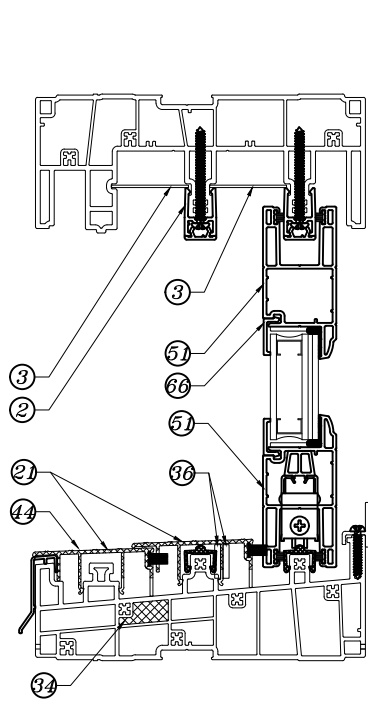
This item has been digitally signed and sealed by Michael D. Stremmel, PE on the date adjacent to the seal. Printed copies of this document are not considered signed and sealed and the signature must be verified on any electronic copies.



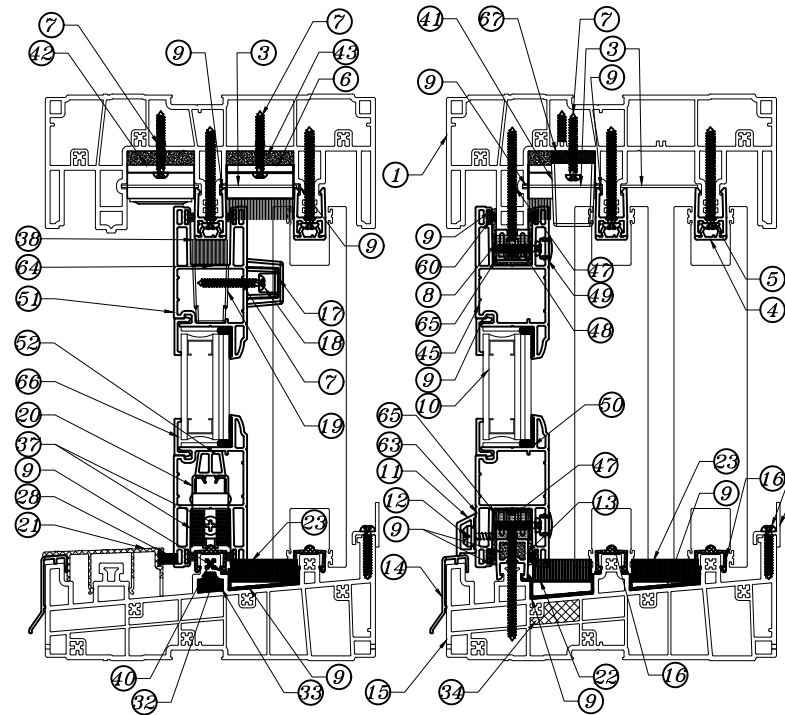
Michael D. Stremmel, PE  
 FL PE 65868  
 FL REG 37122  
 1410 Eden Road  
 York, PA 17402  
 717-916-6300

2023.12.13 07:00:08 -05'00'

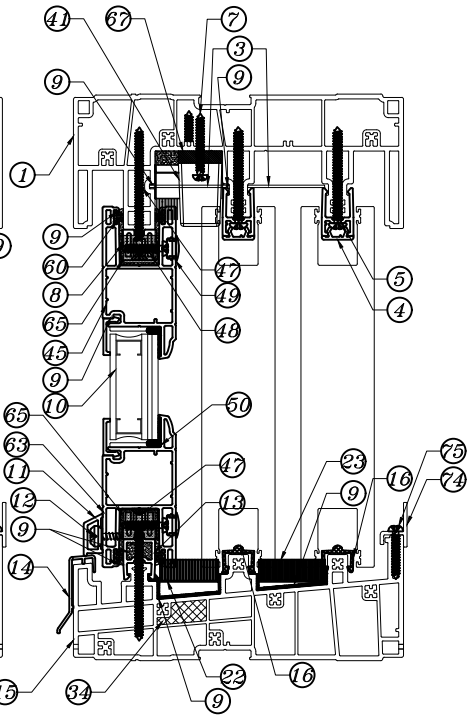
<b>8800 SGD - Impact Glazing Detail</b>	
<b>Wincore Windows &amp; Doors</b> 250 Staunton Turnpike Parkersburg, WV 26104	
Drawing No.: 27675.05-1002 Project No.: 27675.05-107-16 Drawn By: MDS Rev: - Date: 12/13/23	
Scale: NTS	Sheet 6 of 8



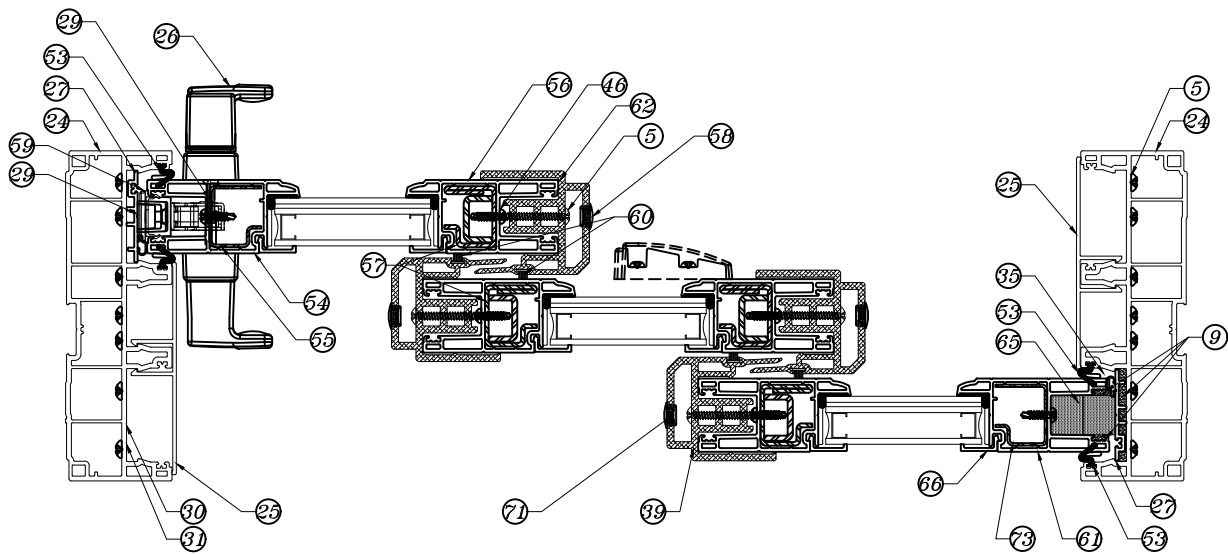
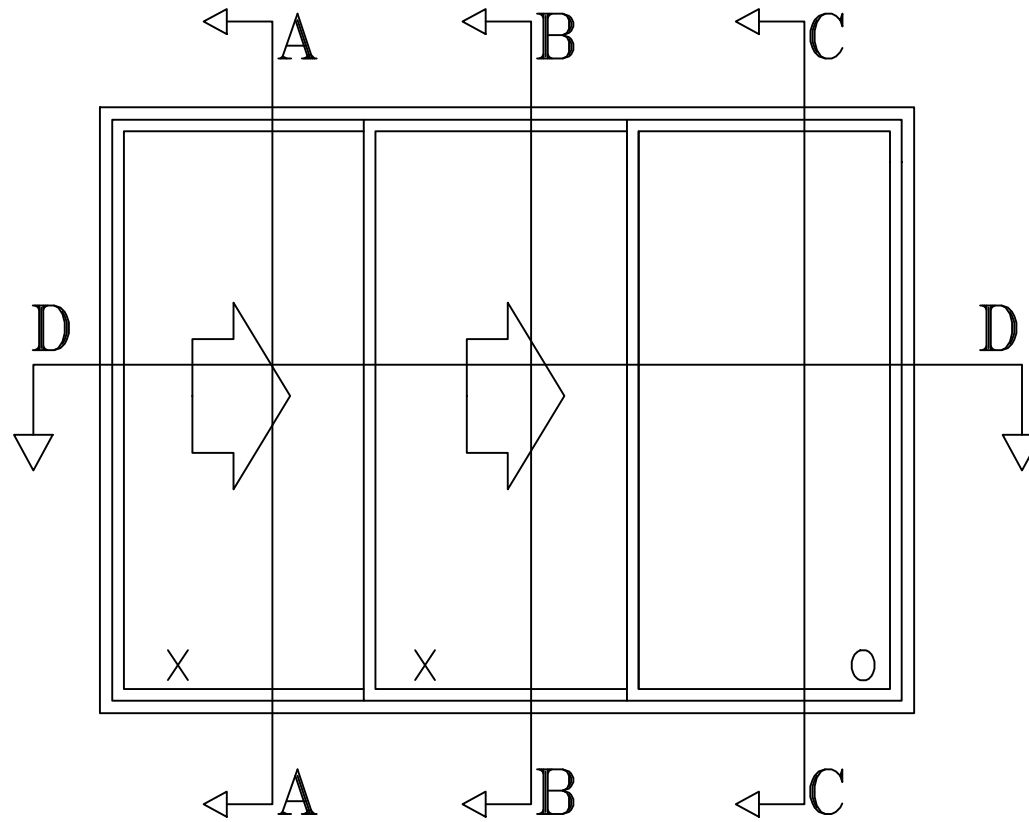
SECTION A-A



SECTION B-B



SECTION C-C



SECTION D-D

Item	PART No.	Item Description	Source
1	8352, 8302, 8312, 8322, 8332, 8362, 8372, 8382	Head track profile	P.H. Tech
2	8321	Head track	P.H. Tech
3	8323	Head Cover	P.H. Tech
4	8331	Head Cover Rail	P.H. Tech
5	8942.VIS10	No. 10 x 2", Pan head, Phillips, SS Screw	P.H. Tech
6	703	Head Weatherseal	P.H. Tech
7	8941	No. 8-18 x 1 1/4", Pan head, Quadrex screw	P.H. Tech
8	7003	Fixed sash anchor block	P.H. Tech
9		Sealant	Various
10		Glass	Various
11	6352	Drip Cap	P.H. Tech
12	8813.VIS10	No. 10-12 x 5/8", special mushroom head, Quadrex	P.H. Tech
13	8301	Fixed Rail Support	P.H. Tech
14	9730	Sill cladding	P.H. Tech
15	8350, 8300, 8310, 8320, 8330, 8360, 8370, 8380	Sill track profile	P.H. Tech
16	9708	Sliding rail	P.H. Tech
17	8389.58.CAPEV	Cap (bumper of the central mobile sash)	P.H. Tech
18	8389.04.ARREV	Bumper (central mobile sash)	P.H. Tech
19	8397	Mobile welded sash anchor block	P.H. Tech
20	9732	Tandem Wheel	P.H. Tech (Truth)
21	9718	Sill protector	P.H. Tech
22	8371	Sill weatherseal block (33mm)	P.H. Tech
23	8381	Sill Weatherseal block (37mm)	P.H. Tech
24	8354, 8304, 8314, 8324, 8334, 8364, 8374, 8384	Jamb track profile	P.H. Tech
25	8313	Jamb cover	P.H. Tech
26	9748	Handle Kit	P.H. Tech (Roto Fasco)
27	8303	Bulb weatherstrip adaptor	P.H. Tech
28	9581, 9575	Weatherstrip	Ultrafab #T-08-42027045-CV Schlegel #HF-7532-270
29	9250	Mortise Lock / Keeper kit	P.H. Tech (Roto Fasco)
30	8378	Frame Corner Gasket (Sill)	P.H. Tech
31	8379	Frame Corner Gasket (Head)	P.H. Tech
32	8781	Rail foam plug	P.H. Tech
33	8782	Anti bug foam (rail)	P.H. Tech

Item	PART No.	Item Description	Source
34	8783	Anti bug foam (sill)	P.H. Tech
35	8784	Fixed sash foam bloc	P.H. Tech
36	8387	Sill protector foam gasket (mobile)	P.H. Tech
37	8786	Bottom weatherstrip (center sash)	Schlegel #DPAB 0.827" x0.500" x1.125"
38	8787	Top weatherstrip (center sash)	Schlegel #DPAB 0.827" x0.625" x1.000"
39	8377	Sill protector foam gasket	P.H. Tech
40	8788	Rail foam plug	P.H. Tech
41	8940	Bumper	P.H. Tech
42	8703	Head block	P.H. Tech
43	8373	Spacer for blocks 703/8703	P.H. Tech
44			
45	7508.F	Fixed horizontal rail	P.H. Tech
46	9867.VIS08	No. 8-10 x 5/8", pan head, quadrex self-drilling screw	P.H. Tech
47	9619.VIS08	No. 8-15 x 2 3/4", flat head, Quadrex, Wood screw	P.H. Tech
48	9796.VIS08	No. 8-10 x 5/8", pan head, quadrex screw	P.H. Tech
49	9667	Screw Cap	P.H. Tech
50	8933	Setting block (glass)	P.H. Tech
51	7508.M	Mobile horizontal rail	P.H. Tech
52	7541	Tandem Wheel setting block	P.H. Tech
53	9584	Weatherstrip	Amsbury/Truth Foamlike #12343
54	7587-M	Mobile side stile	P.H. Tech
55	9598-M	Mobile side stile steel reinforcement	P.H. Tech
56	7526	Meeting stile	P.H. Tech
57	9528	Meeting stile steel reinforcement	P.H. Tech
58	8842	Sliding cap	P.H. Tech
59	7523	Groove cover	P.H. Tech
60	9550	Weatherstrip	Schlegel #HF-7522-270 Nap #RPHF027023
61	7587-F	Fixed side stile	P.H. Tech
62	7026	Interlock	P.H. Tech
63	8395-L/R	Drip Cap Cover (Left/Right)	P.H. Tech
64			
65	9853	Foam plug	P.H. Tech
66	5770, 5771, 5772, 5775, 5792, 5793, 5796	Glazing bead	P.H. Tech
67	8789	Spacer for bumper	P.H. Tech
73	9598-F	Fixed side stile steel reinforcement	P.H. Tech

\* = Option

This item has been digitally signed and sealed by Michael D. Stremmel, PE on the date adjacent to the seal. Printed copies of this document are not considered signed and sealed and the signature must be verified on any electronic copies.



Michael D. Stremmel, PE  
FL PE 65868  
FL REG 37122  
1410 Eden Road  
York, PA 17402  
717-916-6300

2023.12.13 07:00:08 -05'00'

### 8800 SGD - Impact Sections and BOM

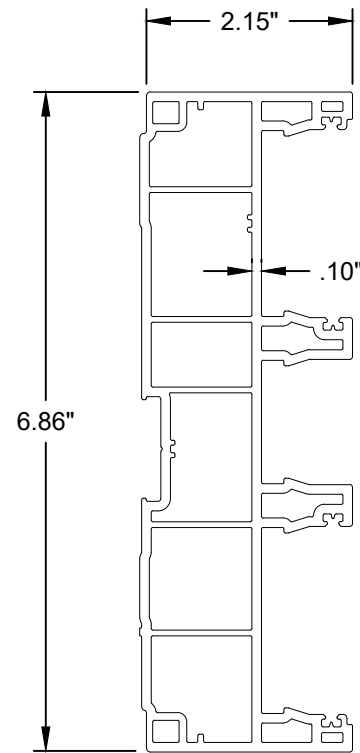
### Wincore Windows & Doors

250 Staunton Turnpike  
Parkersburg, WV 26104

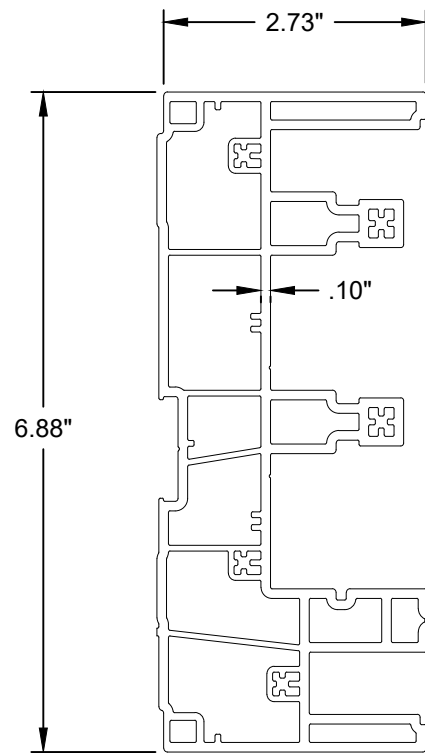
Drawing No.: 27675.05-1002  
Project No.: 27675.05-107-16  
Drawn By: MDS Rev: - Date: 12/13/23

Scale: NTS

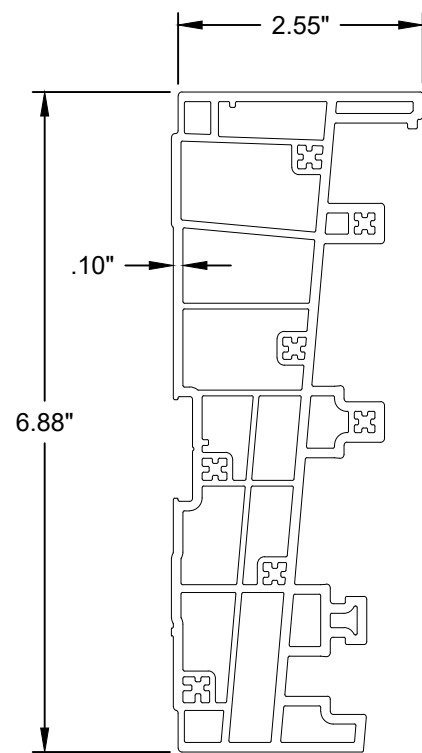
Sheet 7 of 8



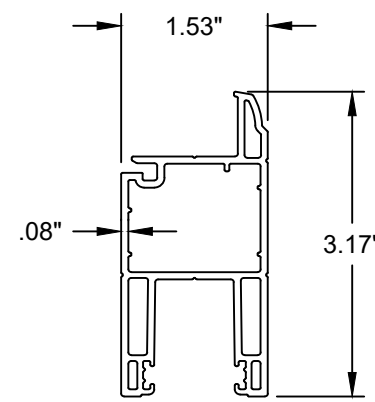
**JAMB TRACK**  
PVC



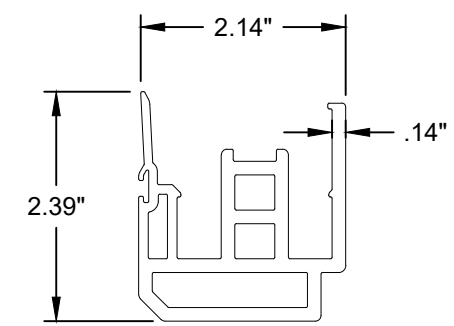
**HEAD TRACK**  
PVC



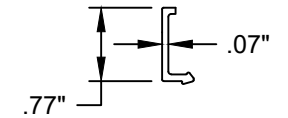
**SILL TRACK**  
PVC



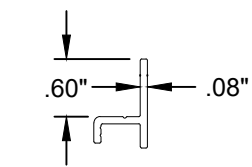
**STILE/RAIL**  
PVC



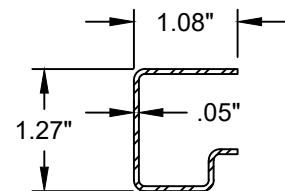
**INTERLOCK**  
6063-T5 ALUMINUM



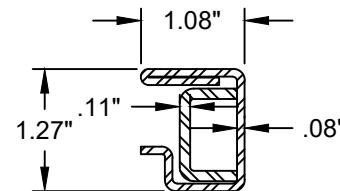
**GLAZING BEAD**  
PVC



**WATER BAR**  
6063-T5 ALUMINUM



**STILE REINFORCEMENT**  
STEEL



**MEETING STILE REINFORCEMENT**  
STEEL

This item has been digitally signed and sealed by Michael D. Stremmel, PE on the date adjacent to the seal. Printed copies of this document are not considered signed and sealed and the signature must be verified on any electronic copies.



Michael D. Stremmel, PE  
FL PE 65868  
FL REG 37122  
1410 Eden Road  
York, PA 17402  
717-916-6300

2023.12.13 07:00:08 -05'00'

HARDWARE	
ITEM	LOCATION
HANDLE KIT (ROTO) WITH 2-POINT LOCK	LOCK STILE
METAL KEEPER	LOCK JAMB
NYLON ROLLER WITH METAL HOUSING	EACH END OF BOTTOM RAIL
ALUMINUM ROLLER GUIDE	SILL TRACK

**8800 SGD - Impact**  
Components

**Wincore Windows & Doors**

250 Staunton Turnpike  
Parkersburg, WV 26104

Drawing No.: 27675.05-1002  
Project No.: 27675.05-107-16  
Drawn By: MDS Rev: - Date: 12/13/23

Scale: NTS

Sheet 8 of 8